

SERVICE MANUAL
McDonald's *Simba* Series
SINGLE BASKET DISPENSER



This document is to be inserted
into the Non-Fryer Section of
the *Equipment Manual*.

FOR YOUR SAFETY
Do not store or use gasoline or other
flammable liquids and vapors in the
vicinity of this or any other appliance.

MANUFACTURED FOR
McDONALD'S®
BY FRYMASTER, L.L.C.
P.O. BOX 51000
SHREVEPORT, LOUISIANA 71135-1000
PHONE 1 (318) 865-1711
1 (800) 24 FRYER

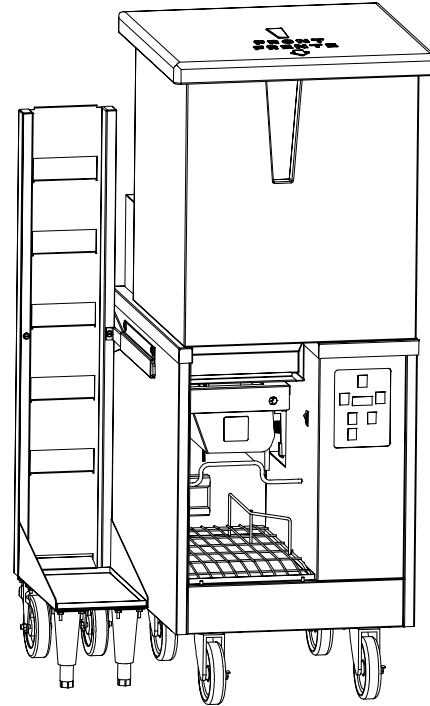


TABLE OF CONTENTS

WARRANTY STATEMENT Page i
TROUBLESHOOTING..... Page 1-1
COMPONENT REPLACEMENT Page 2-1
PARTS LIST Page 3-1
APPENDIX A Page A-1

Frymaster L.L.C., 8700 Line Avenue 71106, 5489 Campus Drive 71129
P.O. Box 51000, Shreveport, Louisiana 71135-1000
TEL 318-865-1711 FAX (Parts) 318-219-7140 (Tech Support) 318-219-7135

Printed in the United States

Service Hotline

1-800-24-FRYER

AUGUST 2004
U.S. \$7.00

8195862

 **DANGER**

IMPROPER INSTALLATION, ADJUSTMENT, ALTERATION, SERVICE OR MAINTENANCE CAN CAUSE PROPERTY DAMAGE, INJURY, OR DEATH. READ THE INSTALLATION, OPERATING, AND MAINTENANCE INSTRUCTIONS THOROUGHLY BEFORE INSTALLING, OPERATING, OR SERVICING THIS EQUIPMENT.

 **DANGER**

DO NOT ATTEMPT TO REPAIR OR REPLACE ANY COMPONENT OF THIS EQUIPMENT UNLESS ALL POWER TO THE EQUIPMENT HAS BEEN DISCONNECTED.

 **DANGER**

FOR YOUR SAFETY, DO NOT STORE OR USE GASOLINE OR OTHER FLAMMABLE VAPORS AND LIQUIDS IN THE VICINITY OF THIS OR ANY OTHER APPLIANCE.

 **DANGER**

FRYMASTER EQUIPMENT IS MANUFACTURED FOR USE WITH THE TYPE VOLTAGE SPECIFIED ON THE EQUIPMENT RATING PLATE. FOR PROPER ELECTRICAL INSTALLATION PROCEDURES IN THE UNITED STATES, REFER TO THE LATEST EDITION OF THE NATIONAL ELECTRIC CODE (ANSI/N.F.P.A. NO 70). IN CANADA, REFER TO THE CANADIAN ELECTRICAL CODE PART 1 (CSA-22.1.) FOR INSTALLATION IN COUNTRIES OTHER THAN THE UNITED STATES AND CANADA, REFER TO THE NATIONAL CODE APPROPRIATE FOR THE COUNTRY IN WHICH THE EQUIPMENT IS BEING INSTALLED.

 **WARNING**

DO NOT OPERATE THIS EQUIPMENT UNLESS ALL SERVICE AND ACCESS PANELS ARE IN PLACE AND PROPERLY SECURED.

 **WARNING**

COMPUTERS

FCC

This device complies with Part 15 of the FCC rules. Operation is subject to the following two conditions: 1) This device may not cause harmful interference, and 2) This device must accept any interference received, including interference that may cause undesired operation. While this device is a verified Class A device, it has been shown to meet the Class B limits.

CANADA

This digital apparatus does not exceed the Class A or B limits for radio noise emissions as set out by the ICES-003 standard of the Canadian Department of Communications.

Cet appareil numérique n'émet pas de bruits radioélectriques dépassant les limites de classe a et b prescrites dans la norme NMB-003 édictée par le ministre des communications du Canada.

HAZARD COMMUNICATION STANDARD (HCS) – WHEN THE PROCEDURES IN THIS MANUAL INCLUDE THE USE OF CHEMICAL PRODUCTS, THE PRODUCTS WILL BE PRINTED IN BOLD FACE, FOLLOWED BY THE ABBREVIATION **HCS** IN THE TEXT PORTION OF THE PROCEDURE. SEE THE HAZARD COMMUNICATION STANDARD (HCS) MANUAL FOR THE APPROPRIATE MATERIAL SAFETY DATA SHEET (MSDS).

McDonald's SINGLE BASKET DISPENSER WARRANTY STATEMENT

Frymaster L.L.C. makes the following limited warranties to the original purchaser only for this equipment and replacement parts:

Warranty Provisions

Frymaster L.L.C. warrants all components against defects in material and workmanship for a period of one year.

All parts, with the exception of fuses, are warranted for one year after installation date of cabinet.

If any parts, except fuses, become defective during the first year after installation date, Frymaster will also pay straight-time labor costs to replace the part, plus up to 100 miles/160 km of travel (50 miles/80 km each way).

Parts Return

All defective in-warranty parts must be returned to a Frymaster Factory Authorized Service Center within 60 days for credit. After 60 days, no credit will be allowed.

Warranty Exclusions

This warranty does not cover equipment that has been damaged due to misuse, abuse, alteration, or accident such as:

- Improper or unauthorized repair;
- Failure to follow proper installation instructions and/or scheduled maintenance procedures as prescribed in the manual shipped with the unit;
- Improper maintenance;
- Damage in shipment;
- Abnormal use;
- Removal, alteration, or obliteration of the rating plate.

This warranty also does not cover:

- Transportation or travel over 100 miles/160 km (50 miles/80 km each way), or travel time over two-hours;
- Overtime or holiday charges;
- Consequential damages (the cost of repairing or replacing other property that is damaged), loss of time, profits, use or any other incidental damages of any kind.

There are no implied warranties of merchantability or fitness for any particular use or purpose. For international warranty, the above paragraphs apply, except that the customer is responsible for freight and duty charges.

McDonald's *SinBaD* SINGLE BASKET DISPENSER

CHAPTER 1: TROUBLESHOOTING

1.1 Functional Description

When the unit is plugged into an electrical outlet, line voltage is supplied to the transformer. Placing the ON/OFF switch in the ON position supplies 24VAC to the motor interface board. The motor interface board supplies 12VDC to the controller and 24VDC to the dispense motor and drum motor. The drum motor will activate briefly as the computer in the controller “wakes up,” then motor logic circuits in the controller will turn it back off. If closed, the dispensing chute door will open and remain open.

When the ON/OFF switch is placed in the ON position, the controller automatically enters the STANDBY mode. When in the STANDBY mode, the batch weight selector switch circuits are disabled and the CLEAN and PROGRAM circuits are enabled. No indicator LEDs are illuminated when the unit is in the STANDBY mode.

Pressing the RUN switch places the controller in the RUN mode and causes the RUN mode indicator above the switch to illuminate. Every time the unit is placed in the RUN mode, the controller will perform an initialization process to “zero” the load cell. The dispensing chute door will open and remain open throughout the process to ensure accuracy. When in the RUN mode, the batch weight selector switch circuits are enabled and the CLEAN and PROGRAM circuits are disabled.

The load cell is an aluminum bar that acts as a bridge resistor. One end of the load cell is fixed. The load cell arms, dispensing chute, and dispense motor are attached to the opposite end. Their weight causes a slight distortion of the bar, which changes the bar’s resistance.

During the zeroing process, circuitry in the controller measures the resistance associated with the weight of the empty dispensing chute, the dispense motor, and the load cell arms. It compares this to a factory-programmed resistance range and, if within the range, records this as the “zero” value. If the resistance is outside of tolerance, the unit goes into a zero failure mode, signified by blinking of the RUN mode indicator and the PROGRAM mode indicator.

During programming of the batch selector switches, the controller measures the difference between the previously determined “zero” resistance and the resistance associated with the new weight. It records the differential so that a batch weight always corresponds to the “zero” resistance plus the differential resistance, not a specific resistance value. This avoids erratic batches caused by fluctuations in the “zero” weight.

When a batch weight selector is pressed, the controller activates the drum motor to transfer fries to the dispensing chute. When the fries enter the chute, their weight further distorts the load cell, causing a change in resistance. When the resistance is equal to the “zero” resistance plus the resistance differential associated with the batch weight selector pressed, the controller signals the drum motor to stop.

A proximity sensor at the rear of the dispensing well senses when a basket has been inserted into the well. It signals the controller, which in turn activates the dispense motor to dump the fries. When the door reaches the full open position, a flag on the dispense motor shaft is detected by a Hall effect sensor that signals the controller. The controller in turn reverses the current to the motor, closing the door. When the door reaches the closed position, another Hall effect sensor detects the flag on the motor shaft and signals the controller. The controller reduces power to the dispense motor to approximately 1VDC, causing the motor to hold the door closed. A built-in 1½-second delay allows the load cell to stabilize before the controller reactivates the

drum motor to reload the dispensing chute. If a basket has been pre-positioned beneath the dispensing chute, the unit will dispense the batch as soon as the load cell is satisfied and begin loading another batch. The second batch will be held until the first batch is removed and a new basket is inserted. The process continues until the unit is placed in the STANDBY mode or the ON/OFF switch is placed in the OFF position.

1.2 Troubleshooting and Problem Isolation

This section is intended to provide technicians with a general knowledge of the broad problem categories associated with this equipment, and the probable causes of each.

Problems you are likely to encounter can be grouped into three categories:

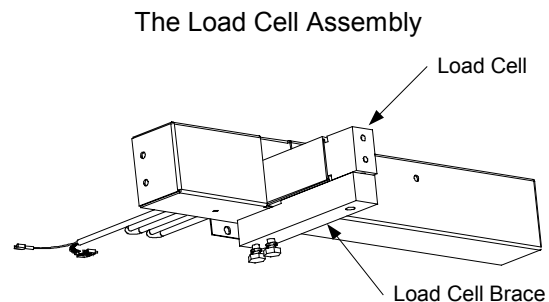
- a. Failures to “zero”
- b. Erratic or inaccurate batch weights
- c. Failures to function correctly

A series of troubleshooting guides is also included at the end of the chapter to assist in identifying some of the more common problems.

1.2.1 Failures to “Zero”

As discussed in Section 1.1, the unit determines batch weights by comparing the load cell resistance to a pre-recorded resistance value equal to the empty or “zero” resistance value plus a resistance differential value corresponding to a particular batch weight. When the load cell resistance is equal to the “zero” resistance plus the resistance differential, the load cell is “satisfied” and the drum motor is stopped. Although each load cell is theoretically identical, in actuality any given cell may have a slightly different resistance from any other cell. Consequently, the cell must be “zeroed” to determine and record its actual resistance in order to ensure accurate batch weights. The unit must be “zeroed” with the dispense chute in place, and no part of the dispense chute may be in contact with the cabinet.

The load cell itself is basically an aluminum bar. When not under stress, it has a particular resistance. When the bar is vertically distorted by applying weight to one end, the resistance changes. Also, if the bar contacts any other component, such as the end of the dispense motor shaft, its resistance will be changed, forcing it outside the acceptable range. Circuitry within the controller measures the load cell resistance and compares this to a factory-programmed (and very narrow) range. As long as the load cell resistance falls within this range, the unit will “zero.”



Other than the load cell or an associated component being in contact with something it shouldn't, there are only three probable causes for failing to “zero.” The first is a malfunctioning controller. If the controller cannot measure load cell resistance or loses the programmed resistance range, it cannot “zero.” The recommended method of checking the controller is to use a load cell simulator (P/N 826-5658). If the unit fails to zero with the simulator substituted for the load cell, the controller has probably failed. An alternate method is to substitute a controller known to be good for the suspect controller. It is not necessary to install a controller to test it. Simply plug the cabling into the new controller. If the unit “zeroes,” the controller in the unit has failed and should be replaced with the new one. The next probable cause is a failed load cell. Failure may be caused by bending of the cell or by damage to the cabling. Because the resistance range is narrow, it is usually impossible to see the damage, so the appearance of the load cell is not a good indicator

of load cell failure, although an obviously damaged cell is immediately suspect. The recommended method for diagnosing a failed load cell is to use the simulator mentioned earlier. If the unit zeroes with a simulator substituted for the load cell, the load cell has probably failed. If the controller and load cell test OK, the third (and least likely) probable cause is a failure of the cable between the load cell and the computer. **NOTE:** If the unit “zeroes” sometimes but fails at others, check for a loose connection at the controller.

In any of the situations, the only solution is to replace the failed component, but before doing that verify that

- a. The load cell brace is not touching the end of the dispense motor shaft. (Do this by trying to insert a piece of paper between the two. If it can be inserted without drag, it’s okay.)
- b. No part of the dispense chute is touching the cabinet.

1.2.2 Erratic or Inaccurate Batch Weights

The probable cause of erratic or inaccurate batch weights is bumping or jarring of the unit while the drum motor is running.

The unit should be positioned in an area where it is not likely to be bumped or jarred during operation. If erratic or inaccurate batch weights occur at random intervals, it is likely that the unit is being bumped or jarred by workers. The only solutions in this case are to move the unit or better educate employees about the effects of bumping the unit during operation.

If the erratic or inaccurate batch weights occur at specific times, or if the problem comes and goes, there may be a source of unusual vibration. Two things to consider are facility location (e.g., is the store close to a railroad track or a highway where trains or heavy trucks pass on a regular schedule) and unit location (e.g., is it next to a heavy door that slams shut), etc. In the case of facility location not much can be done, although it may be possible to dampen the vibrations by placing the unit on a rubber pad. In the case of unit location, consider an alternate location for the unit. Avoid moving the unit long distances without the load cell shim in place. Excessive jarring of the unit in movement may damage the load cell.

If erratic or inaccurate batch weights occur consistently, it is likely that one or more of the batch weight selectors may have been improperly programmed. Verify that the selectors have been properly programmed in accordance with the instructions in Appendix A.

1.2.3 Failures to Function and Improper Functioning

The probable causes of this category of problem are improper connections and failed components. If you have not already done so, you should read Section 1.1 (the system theory of operation) before continuing with this section.

The paragraphs that follow identify the general types of failures that may be encountered and the possible causes of each. Troubleshooting Guides at the end of the chapter provide step-by-step problem-isolation procedures.

Failure of the unit to initialize when ON/OFF switch is placed in ON position can be caused by failure of a component in the input power circuit or failure of the controller. When the ON/OFF switch is placed in the ON position the two error conditions that may be encountered are that the drum motor does not activate at all or it runs continuously.

Normally when the ON/OFF switch is placed in the ON position, the drum motor briefly activates (approximately 2 seconds) then stops. If the drum motor runs continuously as soon as the ON/OFF switch is placed in the ON position, there are three probable causes. The first is that 12VDC is not getting to the controller

from the motor interface board. The second is that the controller has failed. The third is that controller signals are not reaching the motor drive circuits.

If the drum motor does not activate at all, the probable cause is failure of a component in the input power circuit.

Failures of the dispense chute door to open or close are caused by problems with the Hall effect sensors, the proximity sensor, the dispense motor, the motor interface board, or the controller. The primary indication of a problem involving the “closed” Hall effect sensor (J8 on the controller) is the partial closing of the door following the “zero” routine or the removal and replacement of a basket during normal operation.

A failed “open” Hall effect sensor (J8 on the controller) is indicated by the normal “zeroing” of the unit and loading of the dispense chute, but failure of the door to open to dispense the fries. A failed proximity sensor will give the same indication, so care must be taken to differentiate between the two.

If the Hall effect sensors have been ruled out as the cause of the failure to function, the most likely cause is a motor-related problem.

Failures of the drum motor to start or stop are caused by problems in the controller, load cell, motor interface board, or drum motor and the associated wiring. If the motor fails to stop, the problem is not with the motor. It may be with the controller, the load cell, or the motor interface board.

1.3 Troubleshooting Guides

The Troubleshooting Guides in the following pages provide a systematic method for isolating specific problems and the action(s) to take to correct them. When using the guides to isolate the cause of a particular problem, begin with the first probable cause and work down. Also, don’t forget the Operator Troubleshooting Guides found in the Operator’s Manual. Most problems likely to be encountered are covered in these two sets. However, don’t hesitate to call the ***Frymaster*** Technical Services Department at 1-800-24-FRYER (1-800-243-7937) if you need assistance in solving a particular problem.

Problem	Probable Causes	Corrective Action
<p style="text-align: center;">NO POWER WITH UNIT VERIFIED TO BE PLUGGED IN AND CIRCUIT BREAKER VERIFIED TO BE ON.</p>	<p>A. Failed power cord.</p> <p>Test: Check for line voltage on the line side of the line filter. If not present, the power cord has failed.</p>	<p>A. Replace the power cord.</p>
	<p>B. Failed line filter.</p> <p>Test: Check for line voltage on the line side of the filter and on the load side. If line voltage is present on the line side but not the load side, the filter has failed.</p>	<p>B. Replace the line filter.</p>
	<p>C. Failed ON/OFF switch.</p> <p>Test: Check for line voltage on the load side of the line filter and on the transformer brown and blue wires. If line voltage is present on the load side of the filter but not on the transformer brown and blue wires, the switch has failed.</p>	<p>C. Replace the ON/OFF switch.</p>
	<p>D. Failed transformer.</p> <p>Test: Check for line voltage on the transformer brown and blue wires and 24VAC on the black and orange wires and 12VAC on the black and yellow wires. If line voltage is present on the transformer brown and blue wires, and either of the other two voltages is incorrect, the transformer has failed.</p>	<p>D. Replace the transformer.</p>
	<p>E. Failed motor interface board.</p> <p>Test: Check for 12VDC on connector J3 of the board. If voltage is incorrect, the board has failed.</p>	<p>E. Replace the motor interface board.</p>
	<p>F. Failed 12VDC power cable.</p> <p>Test: Check for 12VDC on connector J3 of the motor interface board. If voltage is correct, the 12VDC power cable has failed.</p>	<p>F. Replace the 12VDC power cable.</p>

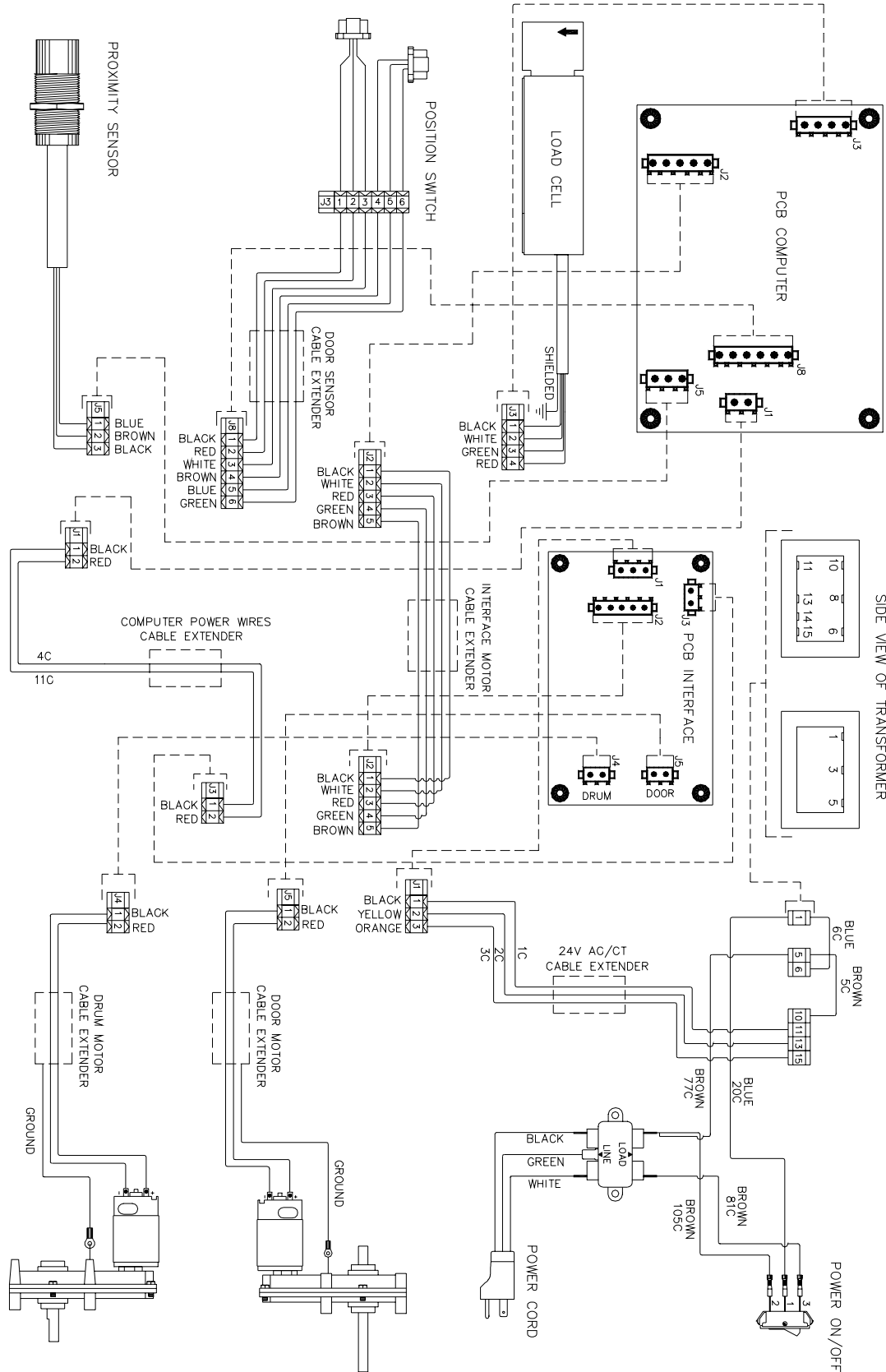
Problem	Probable Causes	Corrective Action
UNIT WILL NOT ZERO.	<p>A. Failed controller.</p> <p>Test 1: <i>If a load cell simulator is available</i>, disconnect the load cell from the controller and connect the simulator. Turn unit off then back on using the ON/OFF switch. Press the RUN switch. If the unit does not zero, the controller has failed.</p> <p>Test 2: <i>If a load cell simulator is not available</i>, turn unit off then back on using the ON/OFF switch. Press the RUN switch and look for the following conditions:</p> <ol style="list-style-type: none"> 1. Drum motor activates briefly, then stops. 2. Indicators in RUN switch and PROGRAM switch do not flash. <p>If both conditions are true, the controller is suspect.</p>	<p>A. Replace the controller.</p> <p>NOTE: Before installing a new controller, plug the cabling into the new controller, turn the unit off then back on using the ON/OFF switch, and press the RUN switch. If the unit zeroes, the diagnosis is confirmed and the replacement computer can then be installed. If the unit still does not zero, the problem is not with the controller.</p>
	<p>B. Failed load cell.</p> <p>Test 1: <i>If a load cell simulator is available</i>, disconnect the load cell from the controller and connect the simulator. Turn unit off then back on using the ON/OFF switch. Press the RUN switch. If the unit zeroes, the load cell is suspect.</p> <p>Test 2: <i>If a load cell simulator is not available</i>, turn unit off then back on using the ON/OFF switch. Press the RUN switch and look for the following conditions:</p> <ol style="list-style-type: none"> 1. Drum motor activates briefly, then stops. 2. Indicators in RUN switch and PROGRAM switch flash. <p>If both conditions are true, and a piece of paper can be inserted between the dispense motor shaft and the load cell brace, the load cell has failed.</p>	<p>B. Replace the load cell.</p> <p>NOTE: Before replacing a load cell, verify that a piece of paper can be inserted between the dispense motor shaft and the load cell brace. If not, the load cell is out of alignment. Refer to Section 2.2.2 for corrective action.</p>
	<p>C. Loose or broken load cell cable.</p> <p>Test: Check connection to verify that the cable is securely plugged into connector J3 on the controller.</p>	<p>C. If the cable is loose, reconnect it. If the cable is broken, replace the load cell.</p>

Problem	Probable Causes	Corrective Action
<p>BATCH WEIGHTS ARE INCONSISTENT OR INACCURATE.</p>	<p>A. Unit is located in an area where it is being bumped or jarred during operation.</p>	<p>A. Relocate unit to an area where it is less likely to be bumped or jarred during operation. Ensure unit is not in contact with adjacent walls.</p>
	<p>B. Unit is in an area subject to unusual environmental vibration, such as adjacent to a railroad track or near a major highway.</p>	<p>B. The effect of environmental vibrations may be lessened by placing the unit on a thick mat.</p>
	<p>C. Batch weight selectors are incorrectly programmed.</p>	<p>C. Reprogram batch weights in accordance with Appendix A.</p>
<p>DRUM MOTOR RUNS CONTINUOUSLY AS SOON AS THE ON/OFF SWITCH IS PLACED IN THE ON POSITION.</p>	<p>A. 12VDC is not getting to the controller.</p> <p>Test 1: Check for 12VDC at motor interface board connector J3. If voltage is not present, probable cause is failure of the motor interface board. If voltage is present, perform Test 2.</p> <p>Test 2: Check for 12VDC at the controller end of the 12VDC cable. If voltage is present on connector J3 but not at controller end of the cable, the cable has failed. If voltage is present at the controller end of the cable the controller is suspect. Go to B.</p> <p>B. Failed controller.</p> <p>Test: Substitute new controller for suspect controller. Turn unit off and back on using the ON/OFF switch. Press RUN switch. If unit functions correctly, the controller has failed.</p>	<p>D. Failed Test 1 – Replace the motor interface board.</p> <p>Failed Test 2 – Replace the 12VDC power cable.</p> <p>E. Replace the controller.</p>
<p>DRUM MOTOR DOES NOT ACTIVATE AT ALL.</p>	<p>A. Failed drum motor.</p> <p>Test: With loading chute empty, turn the unit off then back on using the ON/OFF switch. Press the RUN-switch. Check for 24VDC at motor end of drum motor cable. If voltage is present, the drum motor has failed.</p>	<p>A. Replace the drum motor.</p>
	<p>B. Failed motor interface board.</p> <p>Test: Check for 24VAC at connector J1 of the motor interface board. If voltage is present and a motor known to be good does not activate when RUN switch is pressed, the motor interface board may have failed.</p>	<p>B. Replace the motor interface board.</p> <p>NOTE: Before replacing the motor interface board, check the continuity of the drum motor cable to be sure it is not the problem.</p>

Problem	Probable Causes	Corrective Action
DISPENSE CHUTE DOOR DOES NOT OPEN.	<p>A. Failed dispense motor.</p> <p>Test: Turn the unit off then back on using the ON/OFF switch, then press the RUN switch. Check the DOOR LED for a bright red glow, and for 24-35VDC at the motor end of the dispense motor cable. If both conditions are true, the dispense motor has failed.</p>	<p>A. Replace the dispense motor.</p>
	<p>B. Failed dispense motor cable.</p> <p>Test: Check for 24-35VDC on connector J5 of the motor interface board. If voltage is not present, the dispense motor cable has failed.</p>	<p>B. Replace the dispense motor cable.</p>
	<p>C. Failed motor interface board.</p> <p>Test: Check for 24-35VDC on connector J5 of the motor interface board. If voltage is present, the motor interface board has failed.</p>	<p>C. Replace the motor interface board.</p>
	<p>D. Failed proximity sensor.</p> <p>Test: Place a basket into the dispensing well and check for illumination of the proximity sensor. If the sensor is not illuminated, the sensor has failed.</p>	<p>D. Replace the proximity sensor.</p>
	<p>E. Failed/misaligned upper Hall effect sensor.</p> <p>Test: If the unit zeroes and loads the dispense chute normally, remove the hopper and basket from the unit and empty the dispense chute. Replace the basket. If the drum motor does not start, the upper Hall effect sensor is out of alignment or has failed.</p>	<p>E. Realign or replace the upper Hall effect sensor as necessary.</p>
	<p>F. Failed controller.</p> <p>Test: Disconnect the cables from the suspect controller and connect them to a controller known to be good. Turn the unit off then back on using the ON/OFF switch, the press the RUN switch. If the unit operates correctly, the controller has failed.</p>	<p>F. Replace the controller.</p>

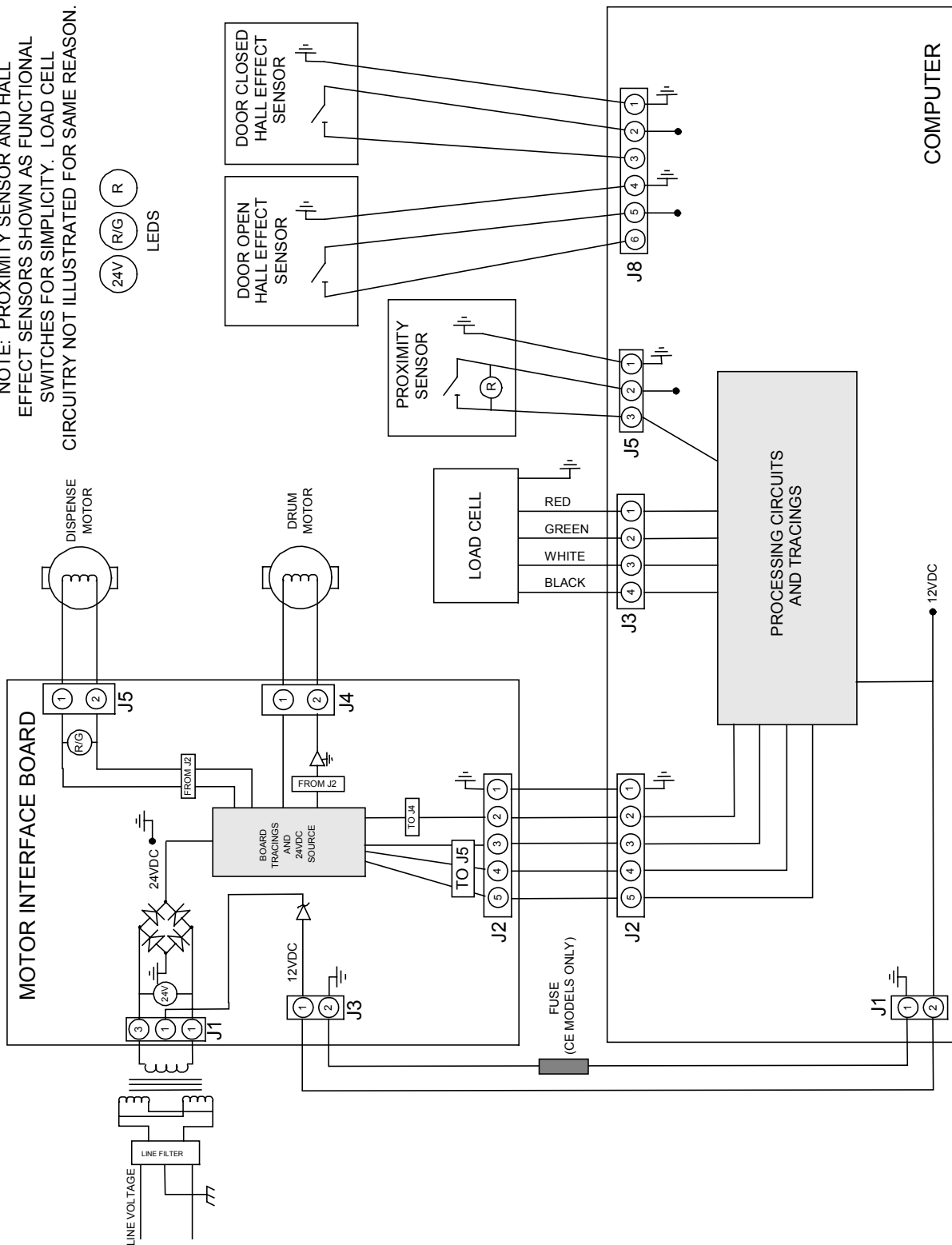
Problem	Probable Causes	Corrective Action
DISPENSE CHUTE DOOR DOES NOT CLOSE.	<p>A. Failed dispense motor.</p> <p>Test: Turn the unit off then back on using the ON/OFF switch, then press the RUN switch. After the unit zeroes, check for 24-35VDC on the motor end of the dispense motor cable. If voltage is present, the dispense motor has failed.</p>	<p>A. Replace the dispense motor.</p>
	<p>B. Failed motor interface board or dispense motor cable.</p> <p>Test: Turn the unit off then back on using the ON/OFF switch, then press the RUN switch. After the unit zeroes, check for 24-35VDC on J5 of the motor interface board. If voltage is not present, the motor interface board has failed. If voltage is present, the dispense motor cable has failed.</p>	<p>B. Replace the motor interface board or dispense motor cable as required.</p>
	<p>C. Failed/misaligned lower Hall effect sensor.</p> <p>Test: If the unit zeroes and the door partially closes, the lower Hall effect sensor is out of alignment or has failed.</p>	<p>C. Realign or replace the lower Hall effect sensor as necessary.</p>
	<p>D. Failed controller.</p> <p>Test: Disconnect the cables from the suspect controller and connect them to a controller known to be good. Turn the unit off then back on using the ON/OFF switch, the press the RUN switch. If the unit operates correctly, the controller has failed.</p>	<p>D. Replace the controller.</p>

1.4 Wiring Diagrams



8051151E

NOTE: PROXIMITY SENSOR AND HALL EFFECT SENSORS SHOWN AS FUNCTIONAL SWITCHES FOR SIMPLICITY. LOAD CELL CIRCUITRY NOT ILLUSTRATED FOR SAME REASON.



SIMPLIFIED WIRING DIAGRAM

PRIMARY TRANSFORMER		OPTIONAL TRANSFORMER	
V & F TRANSFORMER CORP, F5P31		BASLER ELECTRIC BE 29815 001	
<p>24VCT@2.0A</p> <p>100VAC 50/60Hz</p>	<p>24VCT@2.0A</p> <p>115VAC 50/60Hz</p>	<p>24VCT@2.0A</p> <p>100VAC 50/60Hz</p>	<p>24VCT@2.0A</p> <p>115VAC 50/60Hz</p>
<p>24VCT@2.0A</p> <p>200/208VAC 50/60Hz</p>	<p>24VCT@2.0A</p> <p>230/240/250VAC 50/60Hz</p>	<p>24VCT@2.0A</p> <p>200/208VAC 50/60Hz</p>	<p>24VCT@2.0A</p> <p>230/240/250VAC 50/60Hz</p>

McDonald's *SinBaD* SINGLE BASKET DISPENSER

CHAPTER 2: COMPONENT REPLACEMENT

2.1 Accessing Components

The unit's back panel must be removed to access all electronic components except the drum motor. The panel is held in place by two hex-head screws located along the bottom edge. A separate access panel must be removed to gain access to the drum motor. It is held in place with two hex-head screws. In order to access the ON/OFF switch and controller, the right cabinet top must also be removed. It is secured by two pan-head machine screws and Keps nuts at the left rear corner (as viewed from the rear of the unit) and one hex-head screw at the right rear corner. The front of the panel is held in place by a pair of tabs that fit into slots cut into the front of the cabinet. When the retaining screws have been removed, lift up on the rear and move the cabinet top toward the front to disengage the tabs.

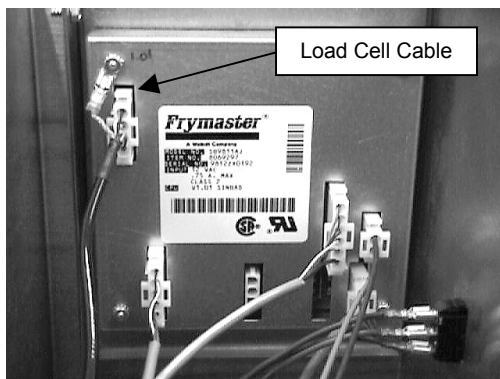
2.2 Replacing Components

2.2.1 Replacing the Controller

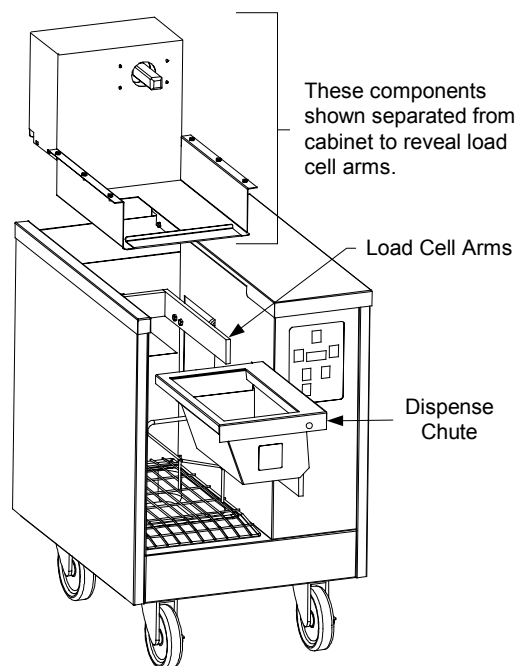
1. Disconnect the unit from the electrical power source.
2. Disconnect all cables from the jacks on the back of the controller. If the cables are not marked indicating their jacks, mark the cables before disconnecting them.
3. The controller is held in place by four Keps nuts. Remove the nuts and pull the controller straight rearward off the mounting studs.
4. Reverse steps 1-3 to install new controller.

2.2.2 Replacing the Load Cell and Associated Components

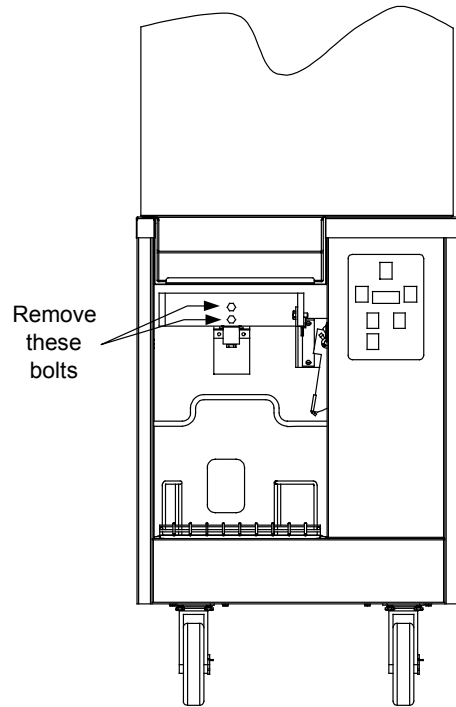
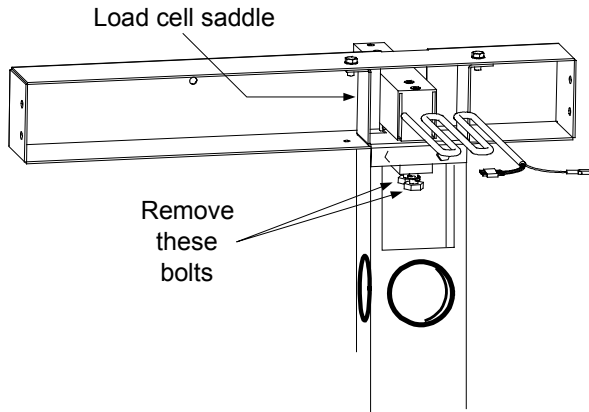
1. Disconnect the unit from the electrical power source.
2. Disconnect the load cell cable from the back of the controller (see photo below).



3. Remove the dispensing chute by lifting it up from the load cell arms and carefully sliding it toward you (see illustration at right).



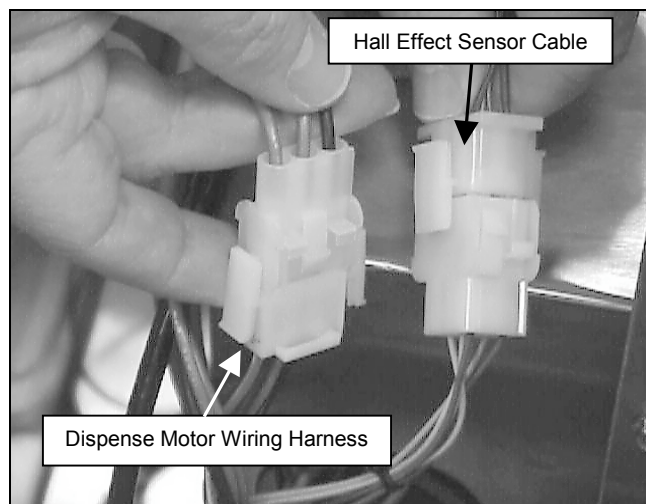
4. Remove the two bolts securing the load cell arms to the load cell (see illustration at right). Carefully lower the load cell arms/dispense motor assembly to the bottom of the dispense chamber.
5. Remove the two bolts securing the load cell/load cell brace assembly to the load cell saddle (see illustration below) and remove the load cell and load cell brace.



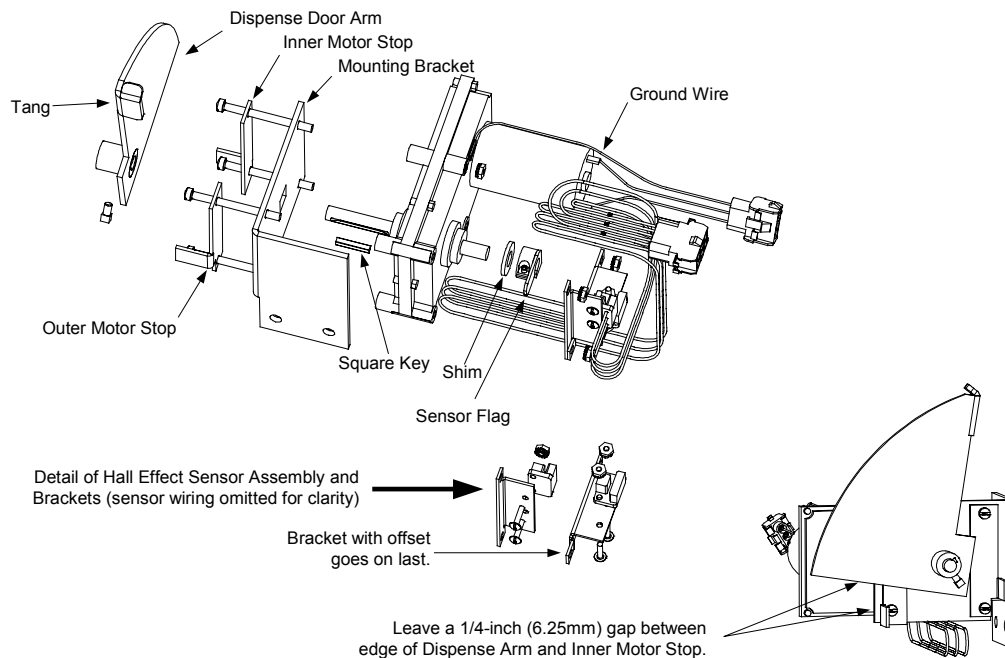
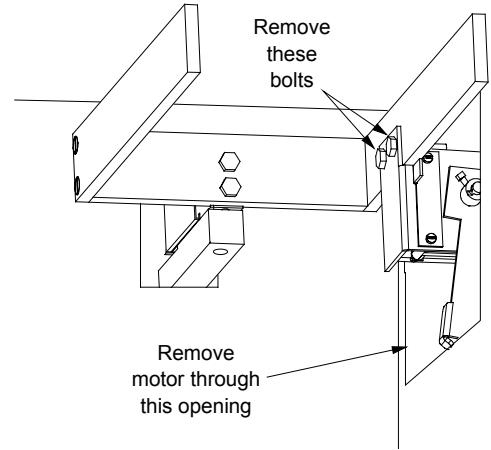
6. Reattach the replacement load cell and the load cell brace to the load cell saddle and securely tighten the bolts. Verify that the gap between the load cell and stop screw in the load cell brace is approximately .015 inch \pm .005 inch (.4mm \pm .13mm).
7. Reverse steps 1 through 4 to complete the procedure.

2.2.3 Replacing the Dispense Motor

1. Disconnect the unit from the electrical power source and remove the back panel to access wiring.
2. Disconnect the dispense motor wiring harness and Hall effect sensor cable (see photo below).



- Remove the basket alignment rack from the dispensing well. Remove the two bolts securing the dispense motor to the load cell arms (see illustration at right). Be ready to support the approximate 6-pound/3-kilogram weight of the dispense motor assembly when the bolts are removed.
- Carefully pull the dispense motor assembly out through the opening in the cabinet.
- Remove the setscrew securing the dispense door arm to the motor shaft and slip the arm from the shaft, being careful not to lose the square key. Remove the four Keps nuts from the screws securing the motor assembly to the dispense motor bracket.



- Loosen the setscrew securing the sensor flag to the motor shaft and slide the flag and shim (spacer) from the shaft.
- Slip the Hall effect sensor brackets off the mounting screws and separate the motor and mounting bracket.
- Assemble the replacement motor to the bracket then replace the Hall effect sensor brackets, installing the bracket with offset last (see illustration in step 5). Replace and tighten the four Keps nuts, torquing to 5-10 inches/pound. **NOTE:** Ensure the ground wire is reattached to the upper right hand mounting screw.
- Insert the square key into the groove in the long motor shaft, align the slot in the dispense arm hub with the square key, and slip the arm onto the shaft with the hub on the outside (see illustration in step 5). **NOTE:** The door must be positioned between the motor stops (rotate the shaft, if necessary) and there must be at least $\frac{5}{16}$ -inch (8 mm) clearance between the door and the motor. Torque the setscrew to 20-25 inches/pound.

10. Slip the shim (spacer) onto the short motor shaft, followed by the sensor flag (with the hub facing the shim). Rotate the dispense arm so that the tang is pointed up (see illustration in step 5) and there is a gap of approximately ¼-inch (6.25 mm) between the edge and the inner motor stop.
11. Remove any slack in the motor shaft by placing the arm end on a work surface and gently pressing down on the motor. At the same time, rotate the sensor flag so that it is positioned between the faces of the upper (left) Hall effect sensor. Verify that there is a gap of approximately ¼-inch (6.25 mm) between the arm and the inner motor stop, then tighten the setscrew, torquing to 12 inches/pound.
12. Reinstall the dispense motor assembly by reversing steps 1 through 4.

2.2.4 Replacing the Drum Motor

1. Disconnect the unit from the electrical power source.

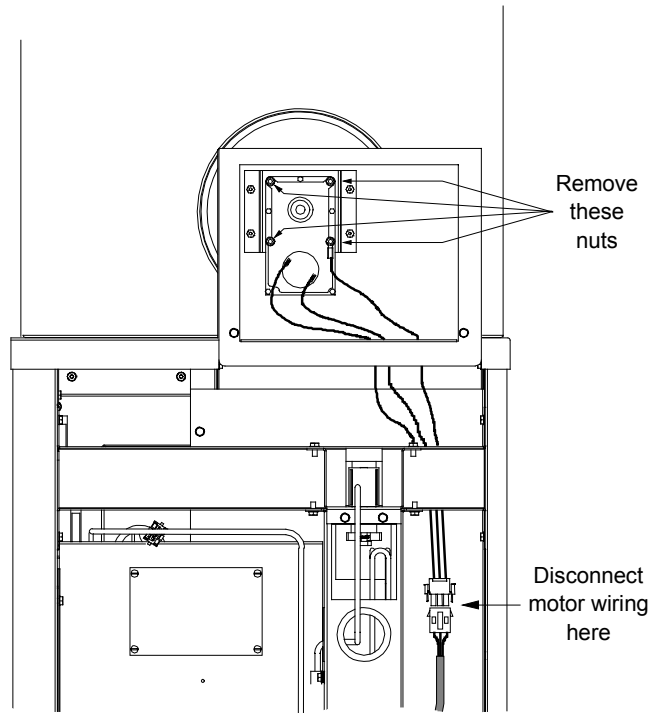
2. Disconnect the drum motor wiring from the drum motor cable (see illustration at right). **NOTE:** The drum motor cable plugs into the motor interface board and the motor wiring plugs into it. It is not necessary to disconnect the drum motor cable from the motor interface board.

3. Remove the four Keps nuts (see illustration at right) that secure the drum motor to the drum motor bracket and pull the motor straight back off the mounting screws.

4. Grasp the motor shaft with a pair of locking pliers and unscrew the rotator arm (“bullet”) from the motor shaft and transfer it to the new motor.

5. Slip the new motor over the four mounting screws, being careful not to dislodge the screws. Replace and tighten the Keps nuts.

6. Reverse steps 1 and 2 to complete the procedure.



2.2.5 Replacing the Transformer or Line Filter

1. Disconnect the unit from the electrical power source.

2. Holding the new component next to the component being replaced, disconnect each wire from the old component and connect it to the new component, one at a time.

3. Remove the screws securing the old component to the mounting bracket, remove the old component, and install the new component.

4. Reconnect the unit to the electrical power source.

2.2.6 Replacing the Proximity Sensor

1. Disconnect the unit from the electrical power source.
2. Unplug the proximity sensor from the controller.
3. Unscrew the failed sensor from the block. Thread the stop nut on the replacement sensor back toward the cord-end until approximately $\frac{1}{2}$ inch (12.5mm) of threads remain. Carefully screw the replacement sensor into the Teflon block until it is finger tight. Tighten the stop nut against cabinet.
4. Plug the sensor cable into jack J5 on the controller and reconnect the unit to the electrical power source.

2.2.7 Replacing the Motor Interface Board

1. Disconnect the unit from the electrical power source.
2. Holding the new interface board next to the one being replaced, disconnect each cable from the failed interface board and connect it to the new board, one at a time.
3. Remove the four Keps nuts securing the old board to its mounting and slip it off the mounting studs, being careful not to dislodge the spacers behind the board. Slip the new board onto the mounting studs and replace the Keps nuts.
4. Reconnect the unit to the electrical power source.

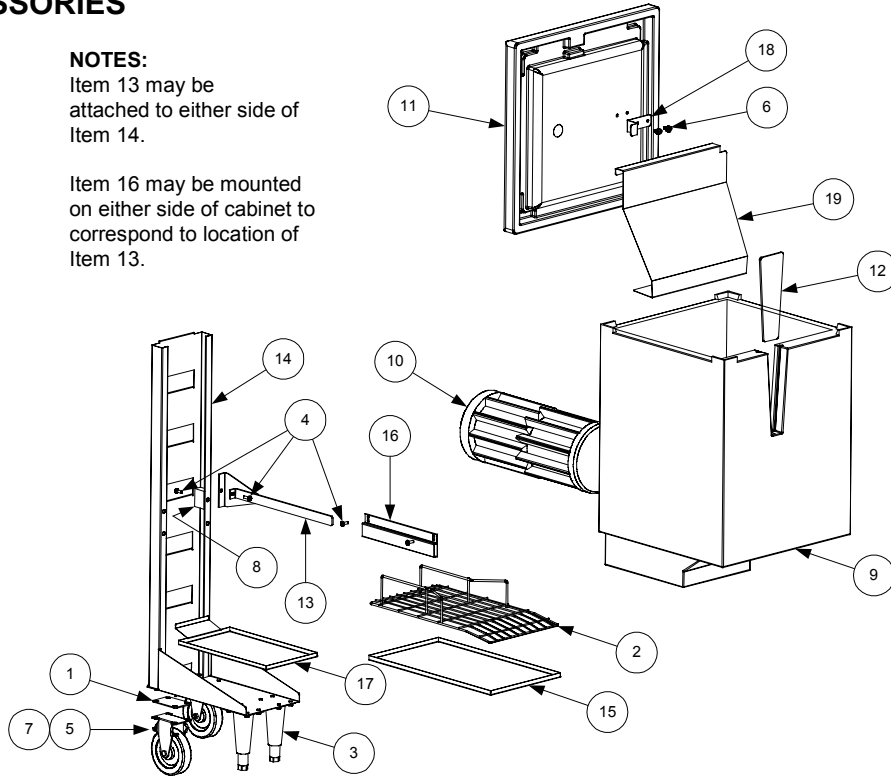
McDonald's *SinBaD* SINGLE BASKET DISPENSERS

CHAPTER 3: PARTS LIST

ACCESSORIES

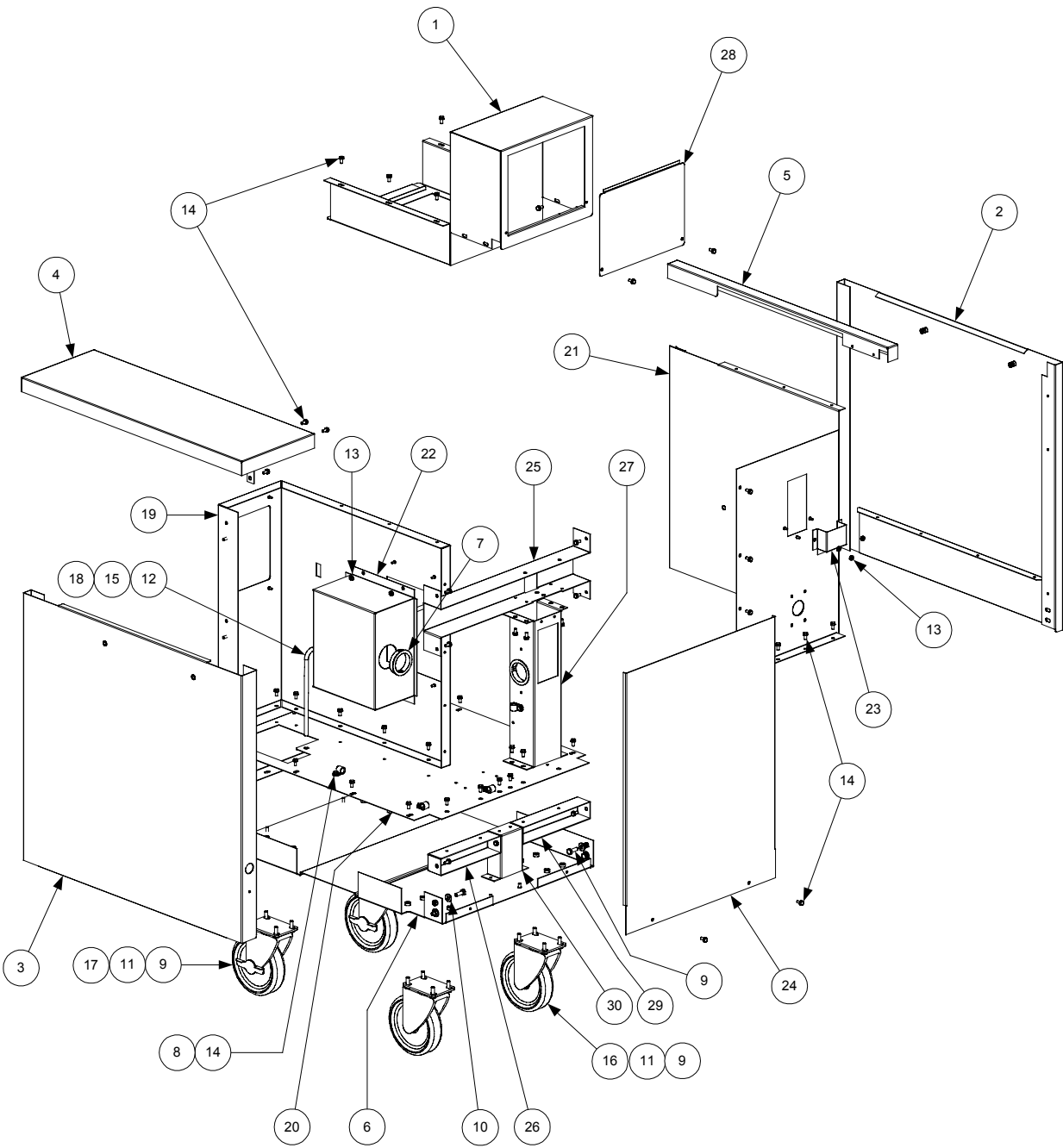
NOTES:
Item 13 may be attached to either side of Item 14.

Item 16 may be mounted on either side of cabinet to correspond to location of Item 13.



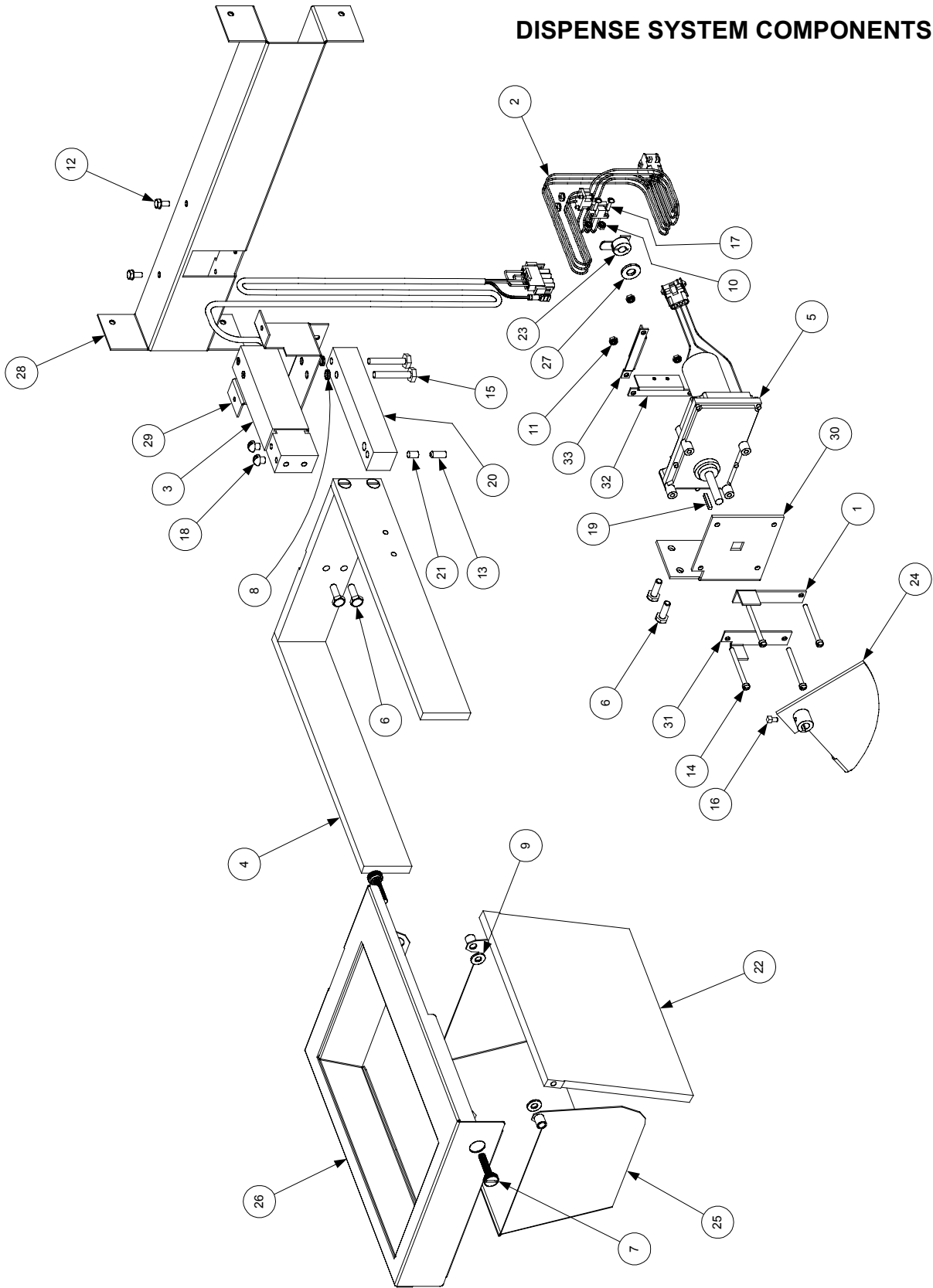
ITEM	PART #	COMPONENT
1	900-2949	Shim, Caster
2	803-0276	Rack, Wire Basket Positioning
3	810-2220	Leg
4	809-0132	Screw, 1/4-20 x 3/4-inch Slotted Pan Head
5	826-1368	Nut, 1/4-20 Serrated Flange (Pkg. of 10)
6	809-0747	Thumbscrew, 1/4-30 x 3/8-inch
7	810-0378	Caster, 5-inch Wheel Rigid
8	810-2231	Block, Threaded
9	812-1496SP	Hopper
10	816-0378	Drum
11	816-0491	Lid, Hopper
12	816-0568	Glass, Sight
13	823-3683	Arm, Basket Rack
14	823-3685	Rack, Basket
15	824-0893	Pan, Crumb
16	824-1022	Receiver, SinBaD Bracket
17	824-1023	Tray, Basket Rack
18	910-7920	Handle, Hopper Lid
19	910-8688	Deflector

CABINETRY



ITEM	PART #	COMPONENT
1	106-0643	Cover Assembly, SinBaD Drum Motor
2	106-0777	Side, Left Cabinet
3	106-1438	Side, Right Cabinet
4	806-9228	Cover, Right Cabinet Top
5	806-9235	Cover, Left Cabinet Top
6	806-9782	Base Assembly
7	807-1083	Bushing, Nylon (fits 2-inch hole)
8	826-1680	Clamp, Plastic Wire (Pkg. of 8)
9	826-1389	Screw, ¼-20 x ¾-inch Hex Head (Pkg. of 10)
10	809-0189	Washer, ¼-inch SAE Flat
11	809-0191	Washer, ¼-inch Lock
12	809-0194	Washer, ⅝-inch SAE Flat
13	809-0250	Nut, 6-32 Keps Hex
14	809-0434	Screw, #10 x ⅜-inch Hex Washer Head
15	809-0783	Nut, ⅝-18 Hex Nylon Lock
16	810-0356	Caster w/o Brake, 5-inch (for 3-inch caster, use 810-2508)
17	810-0357	Caster w/Brake, 5-inch (for 3-inch caster, use 810-2509)
18	810-1644	Guide, Basket
19	823-2761	Panel, Cabinet Front
20	823-3191	Liner, Cabinet Bottom
21	823-3383	Liner, Cabinet Inner
22	824-0752	Cover, Dispense Motor
23	824-0771	Cover, SinBaD Load Cell
24	900-8208	Cover, Back
25	900-8211	Brace, Upper Back
26	900-8223	Brace, Lower Back Right
27	900-8224	Brace, Load Cell Vertical
28	900-8324	Panel, Motor Access
29	900-8352	Brace, Lower Back Left
30	900-9440	Support, Base

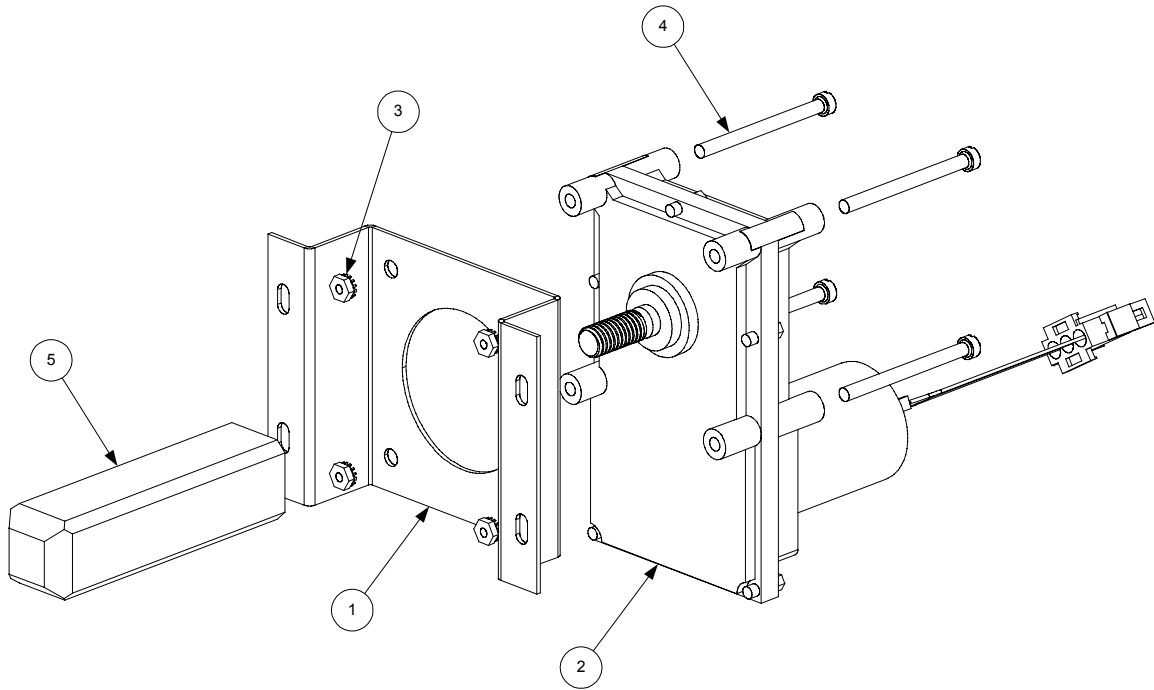
DISPENSE SYSTEM COMPONENTS



ITEM	PART #	COMPONENT
1	210-0810	Stop, Door Open Position
2	806-8969SP	Switch Assembly, Position (Hall Effect Sensor)
3	806-9258	Load Cell Assembly
4	806-9271	Load Cell Arm Assembly
5	807-3004	Motor, 24VDC Dispense
6	826-1389	Screw, 1/4-20 x 3/4-inch Hex Head (Pkg. of 10)
7	809-0171	Thumbscrew, 1/4-20 x 1 3/8-inch
8	809-0191	Washer, 1/4-inch Lock
9	809-0193	Washer, 1/4-inch Nylon Flat
10	826-1366	Nut, 4-40 Keps Hex (Pkg. of 25)
11	809-0247	Nut, 8-32 Keps Hex
12	809-0434	Screw, #10 x 3/8-inch Hex Washer Head
13	809-0480	Setscrew, 1/4-28 x 5/8-inch
14	809-0613	Screw, 8-32 x 2-inch Fillister Head
15	809-0649	Bolt, 1/4-20 x 1 1/2-inch
16	809-0674	Setscrew, 8-32 x 3/8-inch Cup Point Square Head
17	809-0675	Screw, 4-40 x 1/2-inch Slotted Pan Head
18	809-0737	Screw, 1/4-20 x 1/4-inch Slotted Round Head Cap
19	810-1391	Key, 1/8-inch x 3/4-inch
20	810-1770	Brace, Load Cell
21	810-1771	Rod, 1/4-inch x 3/8-inch Aluminum
22	816-0400	Door, Dispense Chute
23	823-2607	Flag, Door Position (Hall Effect Sensor Flag)
24	823-2670	Arm, Dispense Door
25	823-2717	Chute, Dispense
26	823-3412	Top, Dispense Chute
27	900-8169	Shim, Motor Shaft
28	900-8211	Brace, Upper Back
29	900-8233	Saddle, Load Cell
30	910-5855	Bracket, Dispense Motor
31	910-7950	Stop, Door Closed Position
32	910-8164	Bracket, Lower Position Switch (Lower Hall Effect Sensor Bracket)
33	910-8165	Bracket, Upper Position Switch (Upper Hall Effect Sensor Bracket)
*	826-1746	Tester, Load Cell

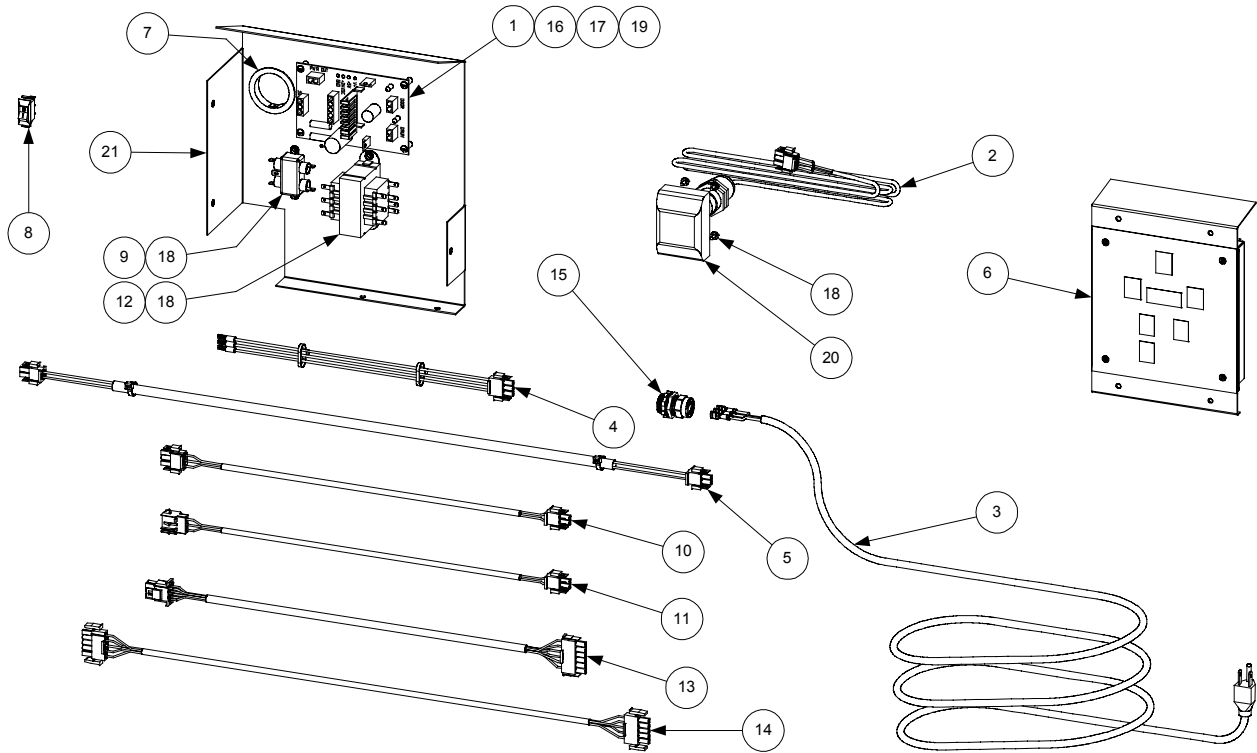
* Not illustrated.

DRUM MOTOR COMPONENTS



ITEM	PART #	COMPONENT
1	200-0953	Bracket, Drum Motor Mounting
2	807-3436	Motor, 24VDC Drum
3	809-0247	Nut, 8-32 Keps Hex
4	809-0613	Screw, 8-32 x 2-inch Fillister Head
5	810-1571	Arm, Drum Rotator (Bullet)


ELECTRONICS



ITEM	PART #	COMPONENT
1	106-0242	Interface Board
2	106-0503	Cable Assembly, Proximity Sensor
3	806-8889	Cord, Power
4	806-8956	Cable, Transformer to Interface Board
5	806-8957	Cable, Computer/Interface Board 12VDC Power
6	106-1480	Computer Assembly
7	807-1083	Bushing, Nylon (fits 2-inch hole)
8	807-2734	Switch, ON/OFF 120V Rocker
9	807-2818	Filter, 120/250VAC Line
10	807-2912	Cable, Dispense Motor to Computer Terminal J5
11	807-2915	Cable, Drum Motor to Computer Terminal J4
12	807-2943	Transformer, 115-230VAC/24VAC
13	807-3056	Cable, Position Switch to Interface Board Terminal J8
14	807-3058	Cable, Computer/Interface Board Signal
15	807-3240	Strain Relief, Power Cord
16	809-0097	Screw, 6-32 x 1-inch Slotted Truss Head
17	809-0250	Nut, 6-32 Keps Hex
18	826-1371	Screw, #8 x 1/2-inch Hex Head Drill Point (Pkg. of 25)
19	810-0383	Spacer, Nylon
20	816-0566	Block, Proximity Sensor
21	900-8938	Bracket, Electronic Components Mounting


McDonald's SINGLE BASKET DISPENSER


Appendix A: Batch Weight Programming

The Batch Weight Selectors in the McDonald's  are factory programmed with three standard batch weights: 0.5 lb./23 kg, 1.0 lb./45 kg, and 1.5 lb./68 kg. If necessary, they can be reprogrammed in the field using the following procedure. **NOTE:** ONLY the previously listed weights should be programmed. Programming other weights contravenes McDonald's policy.






Programming the unit for weights less than .38 lb./17 kg will result in erratic batch weights.

The PROGRAMMING mode can only be entered when the unit is in STANDBY mode. To enter the STANDBY mode, press the RUN Switch  once. Verify that the indicator light in the Switch is out. If not, press the RUN Switch again.

1. Remove the hopper assembly from the unit. **NOTE:** If the hopper is not empty, refer to Section 3.1 of the Operator's Manual for instructions on emptying the hopper.
2. Press the PROGRAM Switch  once to enter the PROGRAMMING mode. The indicator light in the switch will blink. Press BATCH WEIGHT Selector 1 four times. The indicator lights in each of the selectors will light in sequence until all are lit, at which time the indicator in the PROGRAM Switch will stop blinking and the indicator in the CLEAN Switch will blink.

NOTE: If you do not begin pressing Selector 1 within 5 seconds after entering the PROGRAMMING mode, the unit will automatically return to the STANDBY mode. If you press a BATCH WEIGHT selector other than 1, the unit will return to the STANDBY mode immediately after the selector is pressed.

3. Press the CLEAN Switch  once. The dispensing chute door will open and the lights above the numbered selectors will blink, indicating that the system is "zeroing" itself and performing its self-calibration routine. This process takes about 20 seconds. When the process is complete, the dispensing chute door will close and the indicator lights will go out.
4. Carefully place an object weighing ¼-pound (.11 kg) less than the desired batch weight on the dispensing chute door and wait at least 5 seconds for the load cell to stabilize. For example, to program a batch weight of 1 lb./45 kg, use an object weighing ¾ lb./34 kg.
5. Press one of the numbered switches to program the weight associated with that switch. The switch's indicator will light momentarily then go out, showing that the weight for that switch has been successfully recorded.
6. Repeat steps 4 and 5 for each of the remaining numbered switches.
7. Press the PROGRAM Switch  once to exit the PROGRAMMING mode.
8. Press the RUN Switch  once to return to the RUN mode. The light in the switch will illuminate and the dispensing chute door will open and remain open for about 20 seconds as the unit re-zeros itself. Additionally, the lights in the batch weight selectors will sequentially flash during the self-zeroing routine. When the door closes, replace and reload the hopper to return the unit to operation.